

TD1020 Current Coil



1. Summary

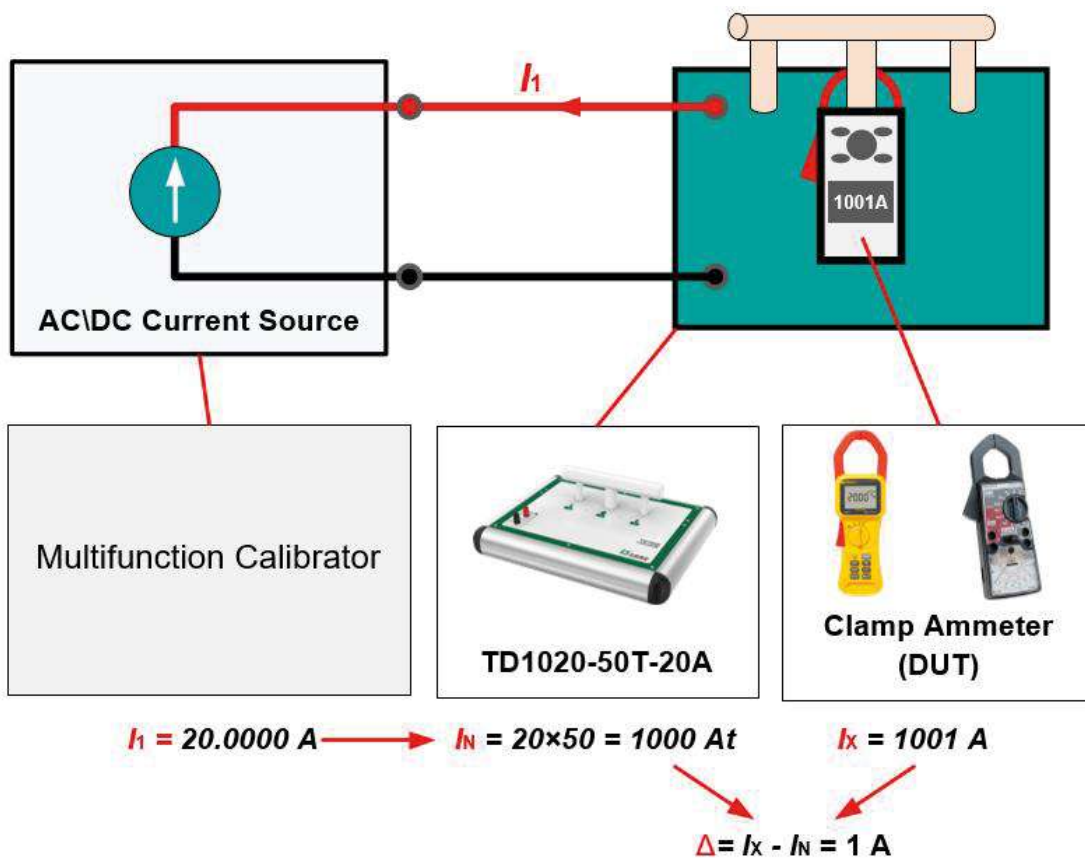
TD1020 is a series of current coils, it is applied for calibrating clamp Ammeters combined with AC\DC current source.

2. Features

- Equivalent current output: 1000 At / 2000 At
- Max current input: 22 A rms / 44 A rms
- DC accuracy: 0.3%
- AC accuracy: 0.3%@50Hz, 0.5%@400Hz
- Frequency: DC, 45 Hz ~ 400 Hz

3. Application

☆ Calibrate clamp ammeter

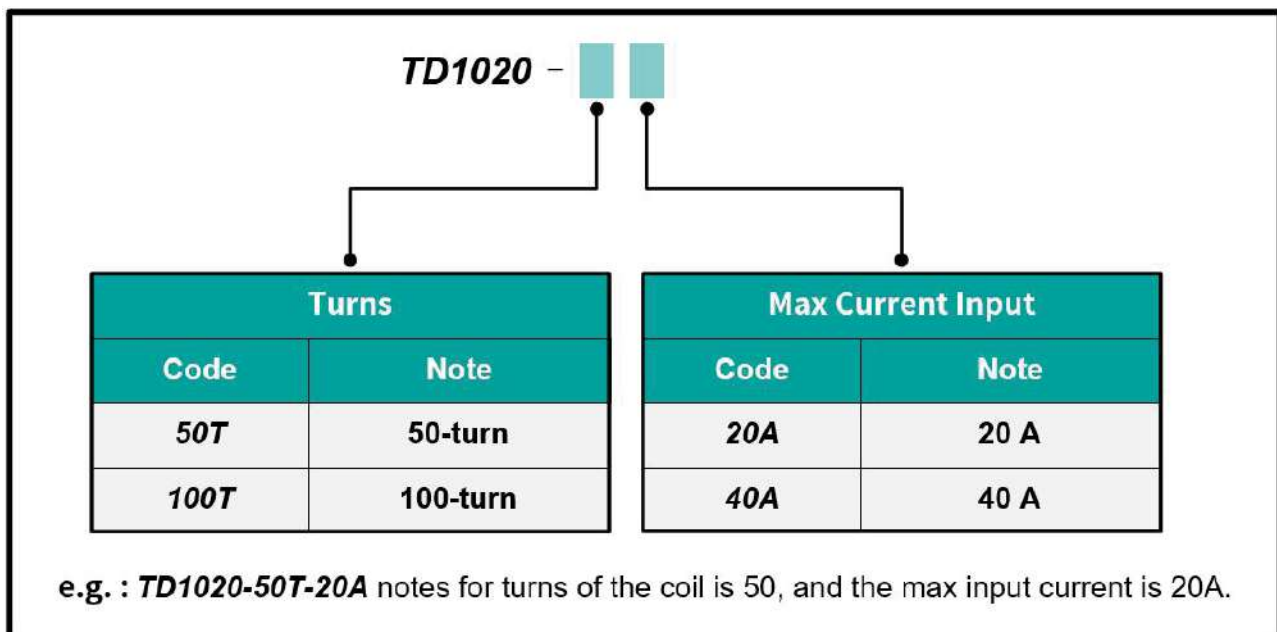


- Equivalent to 1000 At /2000 At current combined with AC\DC current source, which is applied for calibrating clamp meters.

4. Technical Specification

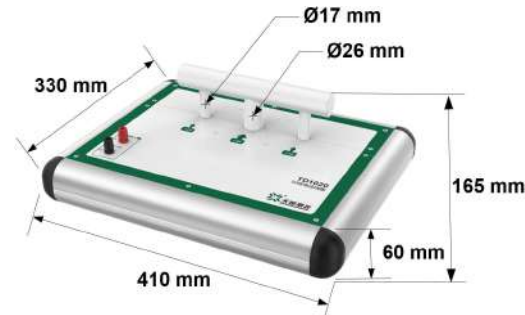
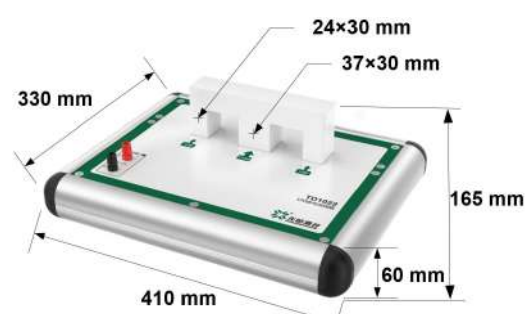
Model		TD1020-50T-20A	TD1020-50T-40A	TD1020-100T-20A
Turns	Middle	50	50	100
	Side	25	25	50
Max current input		22 A rms	44 A rms	22 A rms
Continuous output time		<11 A, continuous; >11 A, ≤ 30minutes.	<22 A, continuous; >22 A, ≤ 30minutes.	< 11 A, continuous; > 11 A, ≤ 30minutes.
Frequency		DC, 45 Hz ~ 400 Hz	DC, 45 Hz ~ 400 Hz	DC, 45 Hz ~ 65 Hz
Accuracy		DC: ±0.3% AC: ±0.3% @ 50 Hz, ±0.5% @ 400 Hz		

5. Ordering Information



6. General Technical Specification

Power Supply	---
Temperature	Operating temperature : 13°C ~ 33°C ;
Performance	Storage temperature : -30°C ~ 70°C
Humidity	Operating humidity : 30%R·H ~ 80%R·H, no condensation
Performance	Storage humidity : 10%R·H ~ 90%R·H, no condensation
Altitude	< 3000 m

Model	Dimension(mm) (W * D * H)	Weight (kg)	Size Diagram
TD1020-50T-20A	410 × 330 × 165	15	
TD1020-50T-40A	410 × 330 × 165	20	
TD1020-100T-20A	410 × 330 × 135	20	